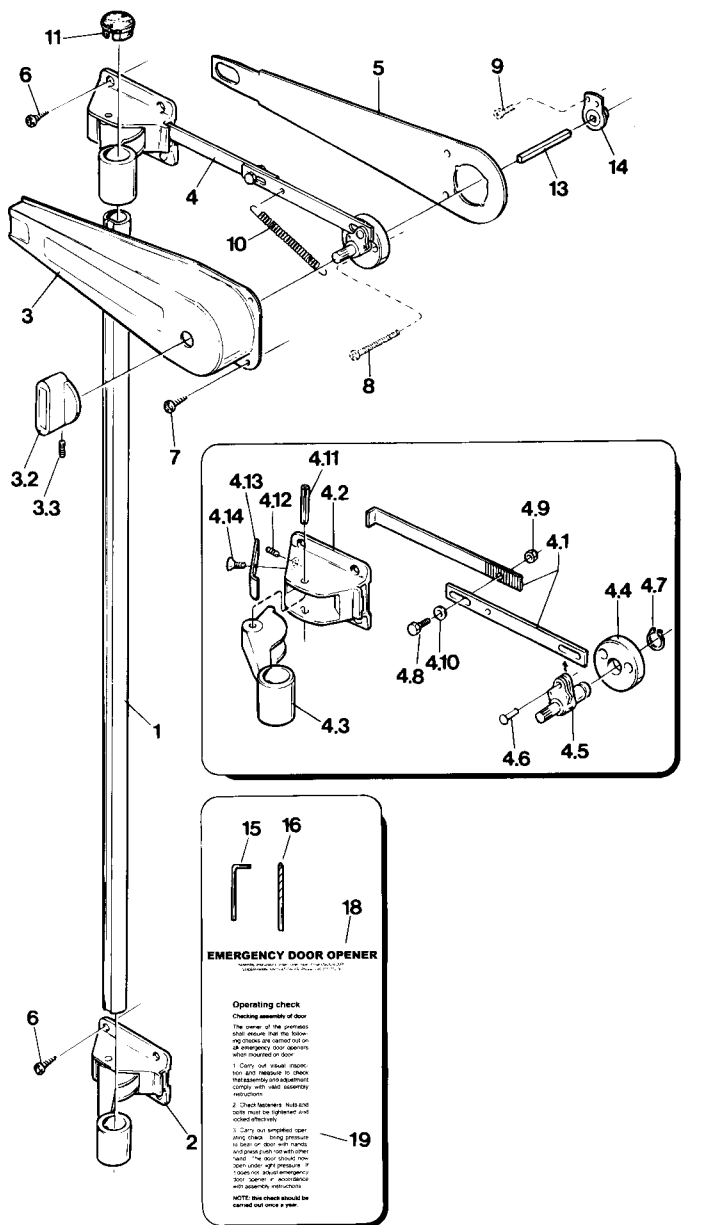


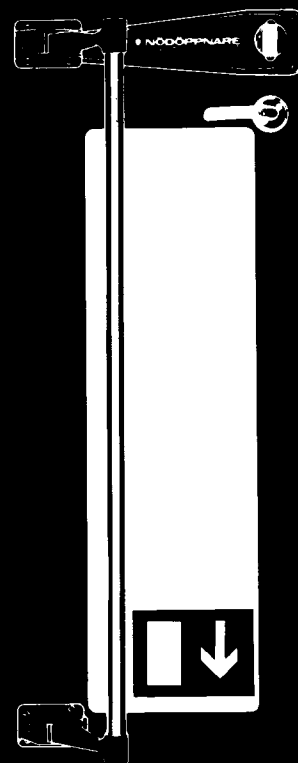
# PARTS SPECIFICATION



- |  |                                      |
|--|--------------------------------------|
| 1. Push rod                                    | 3:2 Doorknob                         |
| 2. Bracket, complete,                          | 3.3 Locking screw                    |
| 3. Casing, complete                            |                                      |
| 4. Tension arm, complete                       | 4:1 Tension arm                      |
| 5. Base plate                                  | 4:2 Bracket                          |
| 6. Retaining screw<br>RXS 4.8 x 16 SVOX        | 4:3 Arm                              |
| 7. Retaining screw<br>RXS 4.8 x 9.5 SVOX       | 4:4 Outer casing                     |
| 8. Retaining screw for<br>cylinder plate       | 4:5 Inner casing                     |
| 9. Cylindrical plate                           | 4:6 Rivet, KN 6 x 14                 |
| 10. Return spring                              | 4:7 Locking ring SGA 15              |
| 11. Plastic plug, final ter-<br>mination       | 4:8 Locking screw M6 x 12 8.8<br>FZB |
| 13. Pin, square head =<br>5 mm, length = 56 mm | 4:9 Press nut M6                     |
| 14. Carrier                                    | 4:10 Washer, BRB 6.4 x 12 1.5<br>FZB |
| 15. Hex key, 2.5 mm                            | 4:11 Pin, FRP 6 x 32                 |
| 16. Drill bit, 3.3 mm                          | 4:12 Stop screw, M5 x 16             |
| 18. Adhesive label for casing                  | 4:13 Cover                           |
| 19. Adhesive label for oper-<br>ating check    | 4:14 Screw MF x M5 x 10 SVOX         |

## Assembly instructions for Type P Emergency Door Opener (and type T)

Ensure that all emergency exits are fitted with SI emergency door openers and luminescent warning markers.



**SÖDERHAMN INNOVATION**

P.O. Box 186, SE-826 24 Söderhamn, SWEDEN  
Phone +46 270 702 30, Fax +46 270 129 28

**NOTE**

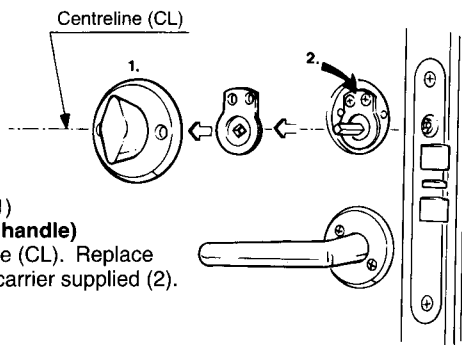
To ensure complete reliability, the components included should not be modified in any way. In the event that a component is modified, SI will not accept any responsibility for the product.

The following emergency door openers are designed for a lock:

Type P = emergency opener mounted on doorknob, e.g. cylinder lock.  
 Type T = emergency opener mounted on handle, e.g. drop lock.

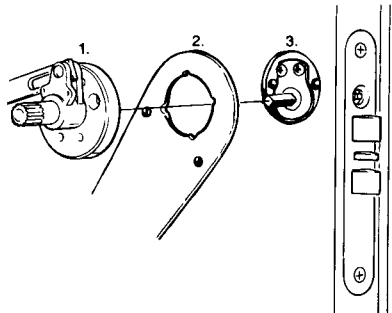
1. Open door using existing doorknob (or handle), checking whether door and lock open and close freely. If not, adjust the socket for the bolt in the door-frame.

**Do not forget to lubricate the lock!**

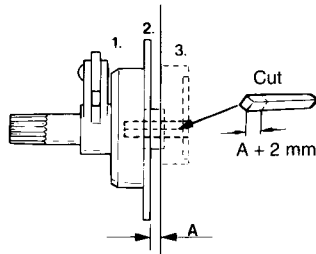


2. Remove doorknob (1) (on Type T: remove handle) and mark a centreline (CL). Replace existing carrier with carrier supplied (2).

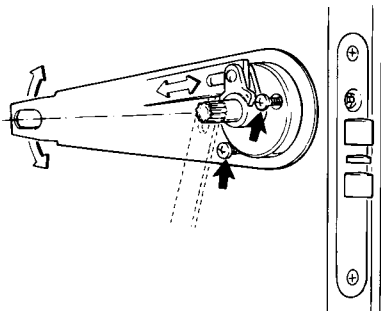
3. Insert square rod into carrier for lock (3), and align base plate (2) with (brass) outer sleeve (1). Slide mechanism on to square rod in such a way that rod goes into inner sleeve of mechanism.



4. Cut square rod as shown in the diagram. Replace rod and suspend mechanism on rod.



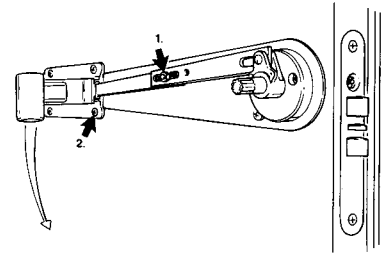
5. Bolt (brass) outer sleeve on to barrel of lock. Check that lock operates freely. Allow drawbar to hang freely. Align base plate with centreline. Screw bottom plate firmly in place.



**NOTE:** all holes should be drilled by using the bit supplied.

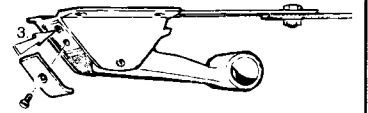
6. Release locking bolt for drawbar (1). Mark position of upper attachment and tighten bolt (2). Ensure that the attachment sits in the recess in the base plate. **NOTE:** retaining bolt RXS 4.8 x 16.

Adjust drawbar as follows: bolts fully extended, lever for upper attachment in external position. There must not be any play. Tighten locking bolt.



**IMPORTANT NOTE**

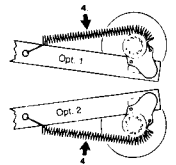
7. Press lever for upper attachment towards door in such a way that the bolts are completely retracted into the lock. **Screw hexagonal socket head bolt (3) in towards the lever for the attachment until it can go no further.** Release lever and check that everything works.



If the mechanism as a whole is stiff, this may be due to the following:  
 - the outer sleeve has not been fitted centrally  
 - the base plate has not been fitted centrally.

Refer to 5.

8. Attach spring for drawbar in accordance with option 1 or 2, depending on the direction in which lock turns. Check operation again.



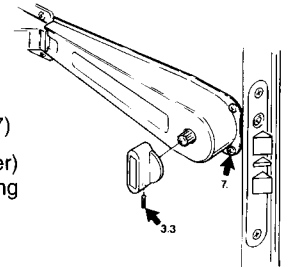
**IMPORTANT NOTE**

Attach adhesive slip describing operating check on inside of cover.

9. Bolt cover firmly in place.

**NOTE:** retaining bolt RXS 4.8 x 9.5 (no. 7)

Position doorknob (not tight against cover) as shown in diagram and lock in place using retaining bolt.

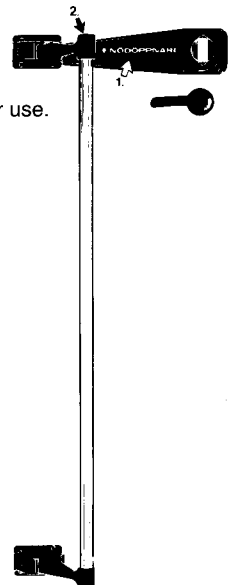


10. Assemble tube with lower attachment and then with upper attachment. Ensure that tube is vertical. It must not be possible to twist it out of true. Mark position of lower attachment and bolt firmly to door.

Attach label supplied as shown in the diagram alongside: "Emergency door opener" (1).

Attach plastic plug supplied to lever for upper attachment (2).

The Emergency Door Opener is now ready for use.



**IMPORTANT NOTE**

**Checking assembly of door**

The owner of the premises shall ensure that the following checks are carried out on all emergency door openers when mounted on door:

1. Carry out visual inspection and measure to check that assembly and adjustment comply with valid assembly instructions.
2. Check fasteners. Nuts and bolts must be tightened and locked effectively.
3. Carry out simplified operating check: bring pressure to bear on door with hands, and press push rod with other hand. The door should now open under light pressure. If it does not, adjust emergency door opener in accordance with assembly instructions.
4. Check that label is in place on cover.

**NOTE:** this check should be carried out once a year.